

JS/JP

系列不锈钢/塑料泵体自吸射流泵

SERIES SELF-PRIMING JET PUMP WITH STAINLESS STEEL CASE /WITH PLASTIC CASE



WORKING CONDITIONS

Max Temperature of Fluid up to +50°C

Max Pressure 8bar,

Max Ambient Temperature up to 40°C

工作条件:

最高流体温度为50°C

最大可承受的压力8bar

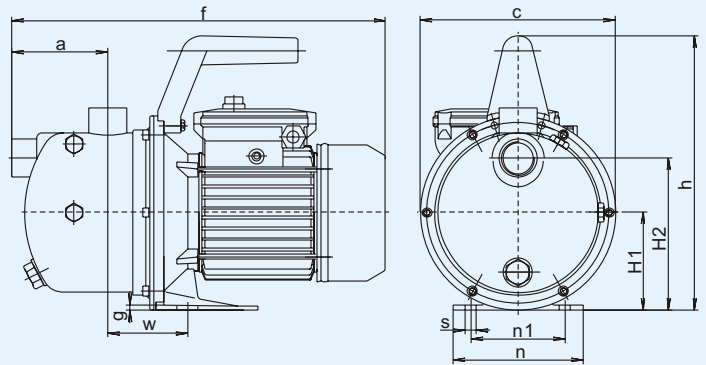
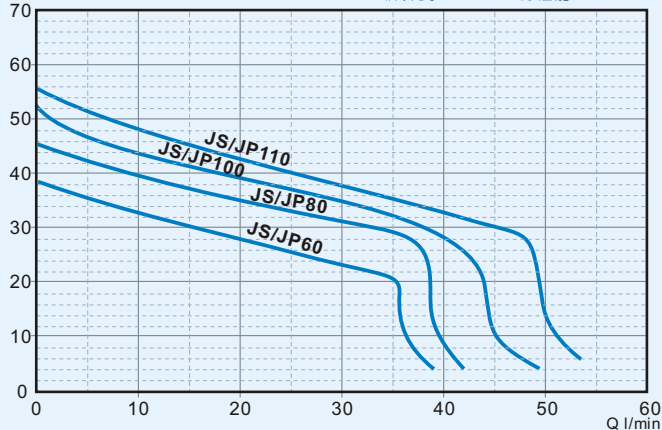
最高环境温度40°C

Stainless steel pump body JS series self-priming electric pumps, Plastic pump body JP series self-priming electric pumps, equipped with waterproof plug & power cord and watertight switch, It is suitable for gardening, water supply, washing, increase water pressure, etc. It is usually can be combined with a pressure switch and a surge tank to be used as a Domestic Water System for distributing water.

不锈钢自吸泵JS系列采用防水插头线及防水开关。自吸泵JP系列采用了塑料泵体、防水插头线及防水开关。广泛应用于家用及民用领域。可用于楼房的自动给水、井中取水、小规模灌溉、园艺用水及喷泉等。也可用于装配成自动供水。



H m PERFORMANCE CHART AT n=2900r/min 折算到2900r/min时性能



DIMENSIONS 安装尺寸

TYPE 型号	Dimensions 外形尺寸 mm										Weight 重量 (kg)		Packing Size 包装尺寸 (mm)			Packing QTY. 包装数量		
	a	f	h	H1	W	H2	W1	W2	n	n1	g	s	NW	GW	L	W	H	20' Cont 20'柜
JS/JP60	97	378/385	230	99	212	153	104	184	130	94	7	11	7.8/7.4	8.8/8.4	420	210	220	1400
JS/JP80	97	378/385	230	99	212	153	104	184	130	94	7	11	8.2/7.8	9.2/8.8	420	210	220	1400
JS/JP100	97	378/385	230	99	212	153	104	184	130	94	7	11	8.6/8.2	9.6/9.2	420	210	220	1200
JS/JP110	97	378/385	230	99	212	153	104	184	130	94	7	11	8.9/8.5	9.9/9.5	420	210	220	1200

TECHNICAL DATA 技术参数

TYPE 型号	Input Power 输入功率		Current 电流 (A)	Capacitor 电容器 (F)	H.max 最高扬程 (m)	Q.max 最大流量 (l/min)	Size 进出口径 (inch)	S.Head 最大吸程 (M)	Total head 总扬程 (m)	Capacity 流量 l/min									
	KW	HP								5	10	15	20	25	30	40	50		
JS/JP60	0.6	0.8	2.4	12	40/48	38	1"X1"	8		38	32/31	31	29	25	22				
JS/JP80	0.8	1.1	3.7	16	45	43	1"X1"	8		42	40	37	35	33	31	10			
JS/JP100	1.0	1.3	4.6	20	51	49	1"X1"	8		46	44	41	39	36	35	28			
JS/JP110	1.1	1.5	4.9	20	52	54	1"X1"	8		52	48	45	42	40	38	32	14		

标准的电参数及零件配置: 单相220V/50Hz、NORYL叶轮、不锈钢轴、马达内置热保护器。可根据客户的其它参数及材料的要求, 制作其它单、三相电压、60Hz、双电压、铜叶轮等规格的产品。
Standard data and equipment: single phase 220V/50Hz, NORLYL impeller, stainless steel motor shaft, with terminal protector inside.
Others model and material such as three phase, 110V, 60Hz, dual voltage, brass impeller, etc. will be available upon request.