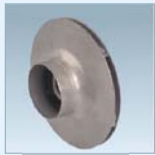


CPS 系列不锈钢离心泵

SERIES STAINLESS STEEL CENTRIFUGAL PUMPS



WORKING CONDITIONS

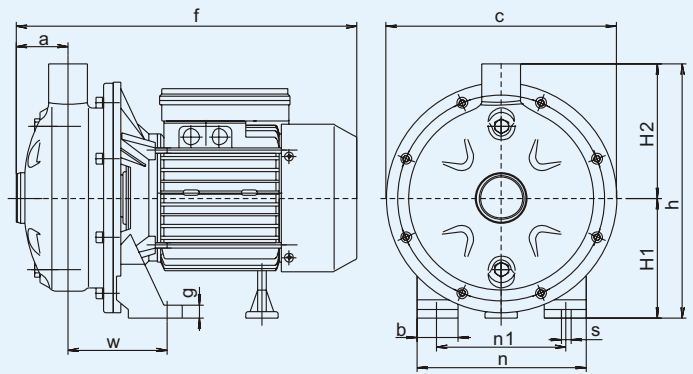
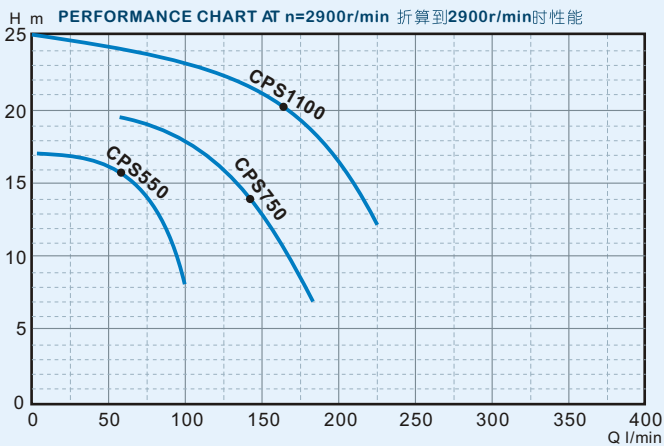
Max Temperature of Fluid up to +80°C
Max Pressure 10bar,
Max Ambient Temperature up to 40°C

工作条件：

最高流体温度为80℃
最大可承受的压力10bar
最高环境温度40℃

CPS series stainless steel centrifugal pumps, it's suitable for both domestic and industrial applications to convey clean liquids and tightly-aggressive chemical fluids. the hydraulic characteristic is lower head and middle capacity.

CPS 系列为不锈钢离心电泵，适用于家庭、农户、企事业给排水，用于输送清水或略具腐蚀性的化学流体。其水力特性为低扬程中流量。



DIMENSIONS 安装尺寸

TYPE 型号	Dimensions 外形尺寸 mm												Weight 重量 (kg)		Packing Size 包装尺寸 (mm)			Packing QTY. 包装数量
	a	f	h	H1	H2	C	n	n1	w	b	g	s	NW	GW	L	W	H	20' Cont 20' 柜
CPS550	48	317	237	112	125	214	158	120	92	39	12	9	8.2	9.2	345	230	270	1400
CPS750	48	317	237	112	125	214	158	120	92	39	12	9	8.6	9.6	345	230	270	1400
CPS1100	48	327	237	112	125	214	158	120	92	39	12	9	9.6	10.6	355	230	270	1400

TECHNICAL DATA 技术参数

TYPE 型号	Output Power 输出功率		Current 电流 (A)	Capacitor 电容器 (F)	H.max 最高扬程 (m)	Q.max 最大流量 (l/min)	Size 进出口径 (inch)	S.Head 最大吸程 (M)	Total head 总扬程 (m)	Capacity 流量 l/min							
	KW	HP								25	50	75	100	150	200		
CPS550	0.55	0.75	3.7	16	17	100	1.25"X1"	8		17	16	13.5	8				
CPS750	0.75	1	4.6	20	18	180	1.25"X1"	8		18	18	17.5	16	12			
CPS1100	1.1	1.5	6.6	30	22	230	1.25"X1"	8		21.5	20.5	20	18	17	5		

标准的电参数及零件配置：单相220V/50Hz、不锈钢叶轮、不锈钢轴、马达内置热保护器。可根据客户的其它参数及材料的要求，制作其它单、三相电压、60Hz、双电压等规格的产品。
Standard data and equipment: single phase 220V/50Hz, stainless steel impeller, and stainless shaft, with terminal protector inside.
Others model and material such as three phase, 110V, 60Hz, dual voltage, will be available upon request.